

Rig Building



Mechanics



Electrics



Repair



Consulting



Quality



Projects



Engineering

BENTEC MUD PUMP T-1600-AC

The design of Bentec's premium quality mud pumps is based on many years of experience in service, maintenance and repair of any type of mud pumps. The direct gear drive is unique in oilfield drilling.

Bentec mud pumps are light-weight and have a small foot print. The 1200 kW AC drive motor is top mounted. The pump is available with 5000 or 7500 PSI fluid ends. A quick change liner and piston system serves for easy maintenance. An "on board" crane allows for easy handling of the fluid end components.

A speciality of the Bentec mud pump is the side mounted gear drive. This design avoids any chain or belt tensioning systems. The two stage helical gear feeds directly into a forged / welded crankshaft. The crankshaft is well balanced and serves for a quiet and vibration-reduced operation.

Liner cooling and gear oiler systems are included, a supercharge pump and a noise reduction package can be installed on request. Especially for noise sensitive environments like offshore or densely populated locations, the Bentec mud pump is the right choice.

Along with the supply of mud pumps, Bentec acts as a "System Supplier". Pumps can be delivered together with a "Bentec Power Control System" and the "Bentec Soft Pump System."

After electrical and mechanical hook up, just fill the pump with the operating fluids, check all electrical and HP / LP mud-line connections and the pump is ready to operate.

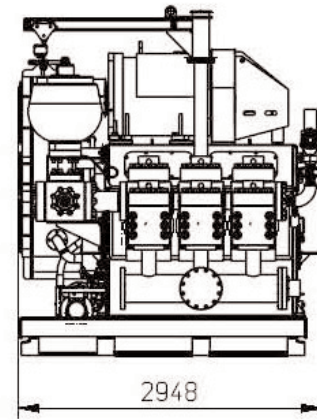
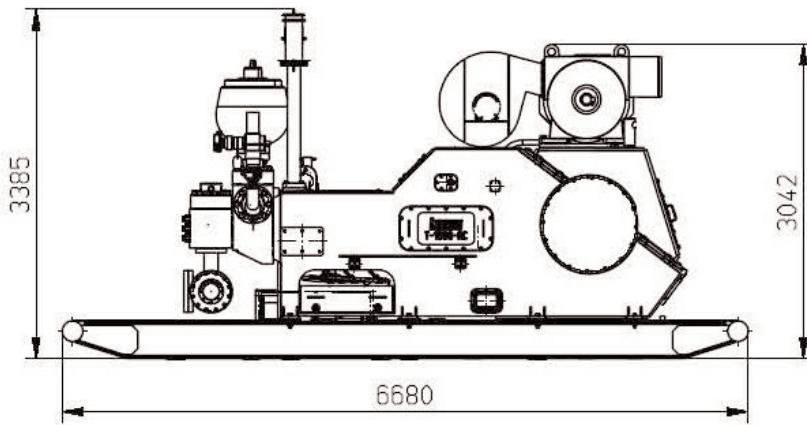
ben**TEC**

TECHNICAL DATA

Weight (Transport)	37000 kg
Weight (Operation)	38300 kg
Length	6680 mm
Width	2948 mm
Height (Transport)	3042 mm
Height (Operation)	3385 mm



Quick Change Liner and Piston System (Patent pending)



Performance Chart
T-1600-AC Mud Pump 7 1/2" x 12"

Fluid End Sizes			5000 PSI					7500 PSI	
Liner size	Inch mm		7 1/2 190,5	7 177,8	6 1/2 165,1	6 152,4	5 3/4 146,1	5 1/4 133,4	4 3/4 120,7
Max. discharge pressure	psi		2988	3430	3978	4669	5083	6098	7449
	bar		206	236	274	322	350	420	514
Volume per stroke	gal (US)		6,88	6,00	5,17	4,41	4,05	3,37	2,76
	litre		26,1	22,7	19,6	16,7	15,3	12,8	10,5
Speed SPM	Max Input HP	Max Input kW	gal / min l / min	gal / min l / min	gal / min l / min	gal / min l / min	gal / min l / min	gal / min l / min	gal / min l / min
120	1600	1193	826 3127	720 2724	621 2349	529 2002	486 1838	405 1532	331 1254
100	1333	994	688 2606	600 2270	517 1958	441 1668	405 1532	337 1277	276 1045
80	1067	795	551 2085	480 1816	414 1566	353 1334	324 1226	270 1022	221 836
60	800	597	413 1564	360 1362	310 1175	264 1001	243 919	202 766	166 627
40	533	398	275 1042	240 908	207 783	176 667	162 613	135 511	110 418

Contact: +49 5922 72 80
E-Mail: info@bentec.de

Bentec GmbH Drilling & Oilfield Systems
Deilmannstrasse 1
48455 Bad Bentheim · Germany

www.bentec.com

