



Rig Building



Mechanics



Electrics



Repair



Consulting



Quality



Projects



Engineering

BENTEC POWER CONTROL ROOM (PCR)

The first choice for your Drilling Business

Engineered and produced in Germany, BENTEC offers high quality container housings in various dimensions and designs. BENTEC Power Control Rooms (PCRs) are built for a safe and customized use in drilling and oilfield systems containing all necessary power and control electronics to drive the drilling process.

Beside PLC controlled SCR or VFD power units for all main drives, our standard PCR contains a Generator Control, the Main Switchboard, a compact MCC, onboard Air conditions and necessary Transformers to power up the complete rig.

The dedicated assignment of the AC or DC Drive Units allows parallel use of all motors, avoiding additional contactors and switches.

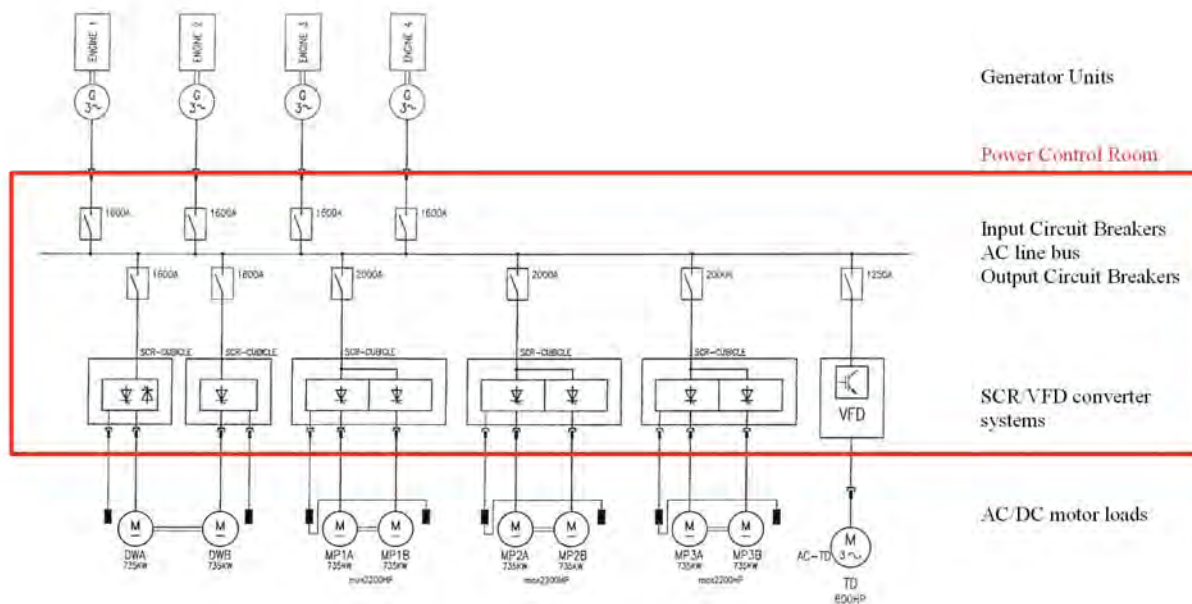
Cables within the PCR are routed through the false floor of the container. This false floor level is also used for ducting the cool air from the AC into cubicles. Closing the loop, the warm air is taken back to the chillers via top mounted channel.

Customized plug panels allow an easy coupling of the load system from the outside and support a minimization of rig up and down times.



TECHNICAL DATA

PCR - Electrical Drive Systems (typical)



Contact: +49 5922 72 80
E-Mail: info@bentec.de

Bentec GmbH Drilling & Oilfield Systems
Deilmannstrasse 1
48455 Bad Bentheim • Germany

www.bentec.com

